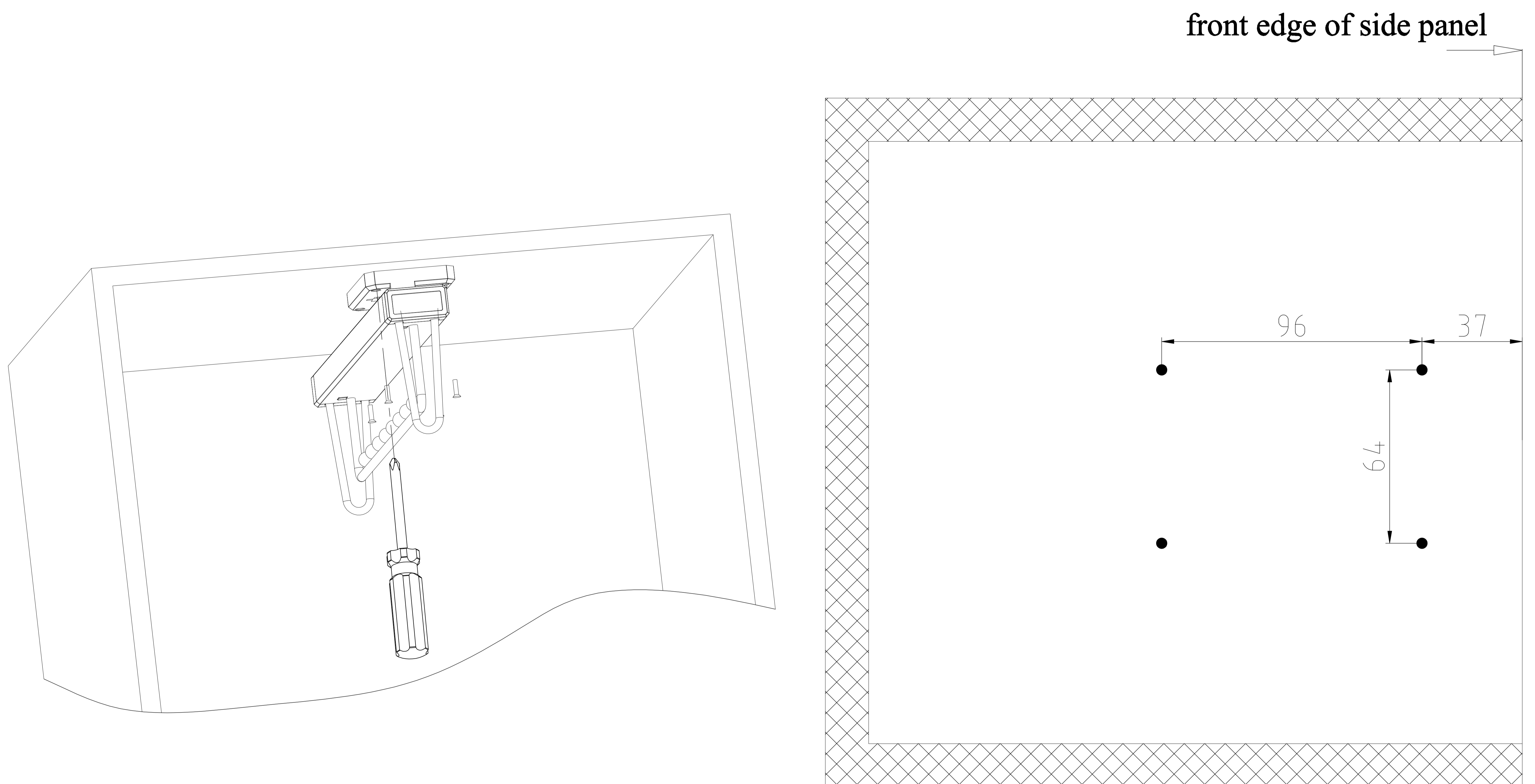


No	Components	Qty
1	M4*14mm pan head screws	4
2	Top mounting clothes hanger	1

Installing top mounting clothes hanger



Installing hole position

Notice:

1. Hanger without soft closing? Pull-out the hanger, then pull-out the damper by hand, then close the hanger.
2. Soft closing no good? Slide no smooth? Check if some inclusion in the slide.